

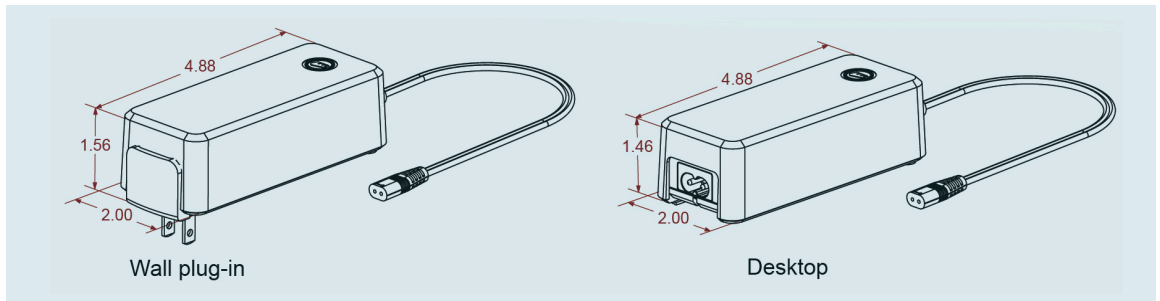
Switch mode Lead Acid chargers are designed to effectively charge Lead Acid batteries while protecting the batteries from overcharging. All charger ratings are based on a nominal input of 90-264 VAC. The output current ranges from 1A to 2A.



Features:

- Medically certified (EN 60601-1 3ed, UL60601)
- Universal input voltage (90-264VAC)
- Custom specifications on request, including temperature compensated charge voltage
- 3 step charge control with current detection
- Error indication for reverse polarity, short circuit, charging lower voltage batteries, and safety timer run out

• Use as a wall plug-in or desktop charger



Category	Specifications
Model number	453546-S Series
Input rating	Nominal 90-264VAC/47-63Hz
Nominal voltage rating	12V / 24V
Switch frequency	≈ 40kHz
Leakage current from battery	<0.3mA @ nominal battery voltage
Operating/storage temp.	-25°C - +40°C / -25°C - +85°C
Ripple	< 100 mV p-p
Insulation class	Class II
Insulation voltage	4000VAC (primary) / 5700VDC (secondary)
Electrical safety std:	UL 60601-1, EN / IEC 60335-2-29, EN 60601-1-11, EN / IEC / ANSI 60601-1 3ed
EMC standards	EN 60601-1-2 (Medical), EN 61000-6-3 (Emission), EN 61000-6-1 (Immunity)
IP-code	4X
Input connection	2 pin IEC 320-C7 (input cordset not included)
Output connection	2.5mm x 5.5mm x 9.5mm barrel plug, center positive*
Dimensions/weight	4.88" x 2.00" x 1.46" (124 x 50 x 37mm) / .48 lbs. (220g)

* Other output connections available upon request

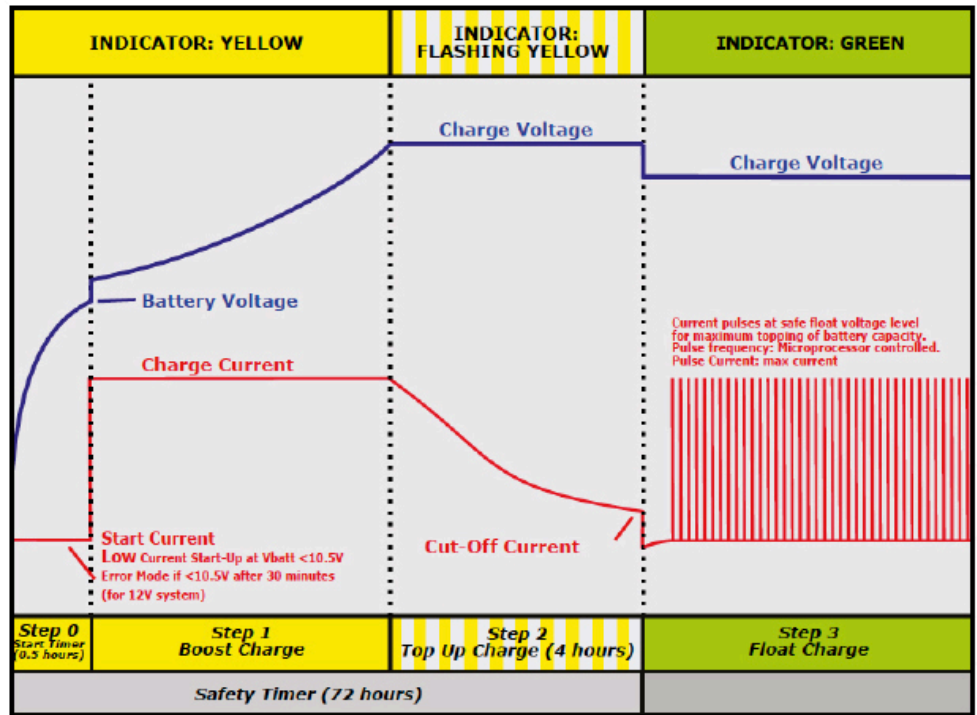
Versions		Charge control - (LED indication)					
		Step 0 <30 min	Step 0 >30 min	Step 1	Step 2	Step 3	Float charge
Model #	Volt	(Yellow)	(Red=error)	(Yellow)	(Flash yellow)	(Green)	
453546-SB	12V	100mA+/-25mA (batt. volt <10.5V)	0A/0V	2A +/- 0.1A (batt. volt >10.5V) (until Vbatt = 14.7V)	14.7V +/- 0.2V (until I charge <0.5A or >4hr) tapering charge current	13.7V +/- 0.2V (until I charge >2.0A) supply current up to max 2.0A for possible parallel load	Pulsing current at safe float volt. level for max top of batt.
453546-SC	24V	100mA+/-25mA (batt. volt <21V)	0A/0V	1A +/- 0.1A (batt. volt >21V) (until Vbatt = 29.4V)	29.4V +/- 0.2V (until I charge <0.25A or >4hr) tapering charge current	27.4V +/- 0.2V (until I charge >1A) supply current up to max 1A for possible parallel load	

* When specifying product, please consult with Cell-Con to verify that the specifications identified on this data sheet are current.

Charging characteristics and LED indication


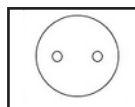
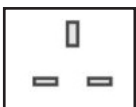
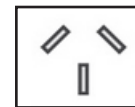
BATTERY NOT CONNECTED INDICATIONS
 Battery not connected is indicated by FLASHING GREEN. In this mode charger will apply short pulses attempting to wake up deeply discharged batteries.

ERROR INDICATIONS
 2 red flashes: Battery is connected to charger with wrong polarity.
 3 red flashes: Charger output is shorted. Check output cable connection.
 4 red flashes: Battery voltage is low. Check battery status or voltage.
 5 red flashes: Safety timer has run out. Check battery status or capacity
 LED off: Battery voltage is too high. Check battery voltage.



AC plug / cordset options

- Removeable AC blades for wall plug-in chargers, or 6' long input cordsets for desktop chargers

Version	USA	European	UK	Australian
Desktop #	470001	470003	470006	470002
WPI #	470209	470210	470211	470212
				

- Cordsets for other countries available upon request

